

Yealink Video Conferencing Camera


VCC22, the Yealink next-gen video conferencing camera, is designed for Yealink VC800 Video Conferencing System with striking 1080p60 quality and developed optics. It has an HD CMOS sensor plus 12X optical zoom which power the VCC22 HD PTZ and deliver high-definition capture of up to 1080p60, presenting professional video images and excellent multi-environment adaptability.

Yealink VC800 supports up to 8 VCC22 cameras and VC880 supports up to 9 VCC22 cameras, developing a typical Yealink multi-camera solution. This dead-zone-free solution is suitable for every large meeting room and auditorium, and it can send one multi-image video to the far side by piecing different video images from different cameras together. Furthermore, it supports various video layouts, including onePlusN, N*N, full screen, you can control the cameras or adjust camera layout by remote control, CP960 conference phone or control device as well, minus any pricey video matrix.

VCC22 supports PoE, which brings simple and easy deployment by connecting to PoE switch via standard RJ45 network cable (up to 100-meter long). In this way, power supply, video data transmission and signal control unifies as one, sharply reducing the complex installation procedures as well as the costly expenses.

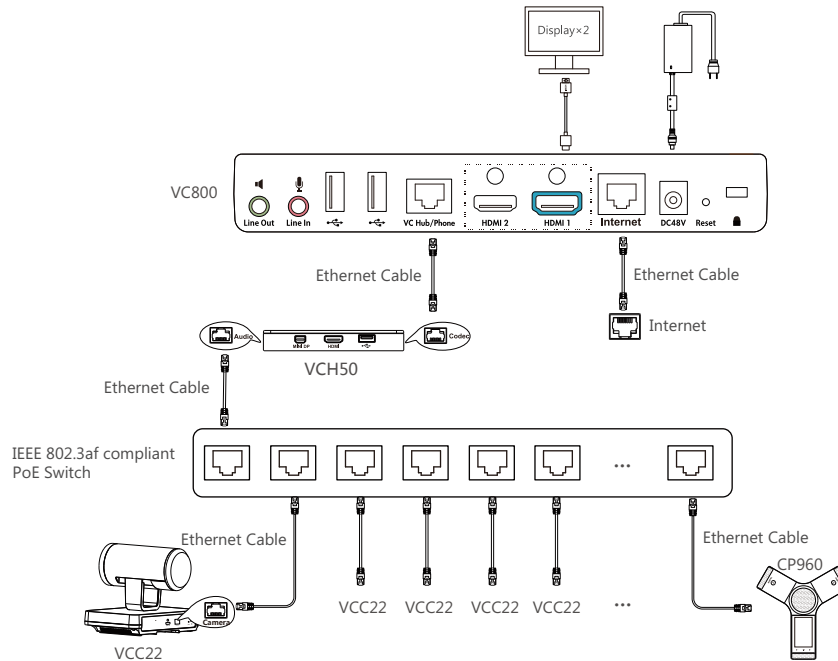


- 12x optical, Pan/Tilt/Zoom functionality
- Full HD 1080p60 video quality
- Power over Ethernet (PoE)
- Power supply/video/control three-in-one
- Multi-camera solution with VC800/VC880
- Multi-camera image splice
- Camera layout adjustment
- Up to 99 presets

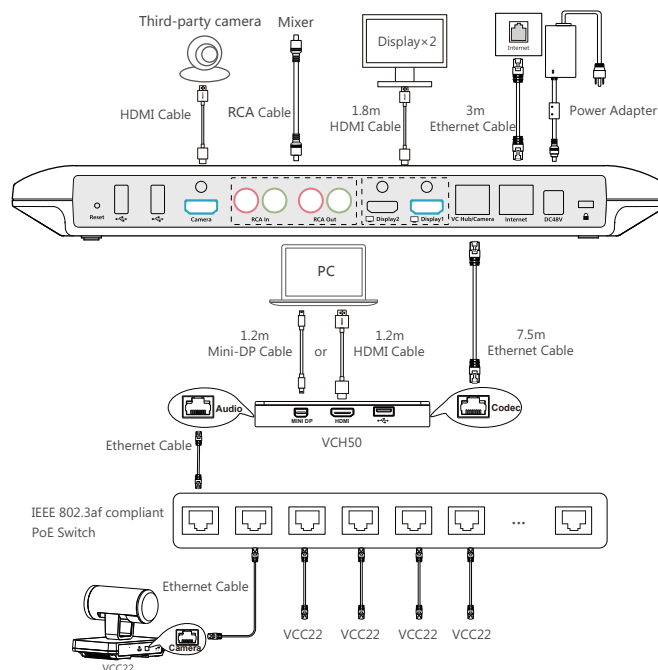
	<p>VCC22</p> 
Room Size	Large
Video System Compatibility	Yealink VC800/VC880
Camera Type	1/3" HD CMOS
Maximum Resolution	1920×1080
Video Output Pixels	1080P
Maximum FPS	60 fps
Zoom	12x optical
Horizontal Field of View	70°
Vertical Field of View	42°
Min. Illumination	0.5 lux
Signal Noise Ratio (SNR)	>55dB
Focus	Auto/Manual
Exposure	Auto/Manual
White Balance (WB)	ATW/Auto/Manual
Beauty Shot	√
Video Output Interface	1 × HDMI
Network Interface	1 × RJ45
Power Supply	PoE
Pan Range	0~±100°
Tilt Range	0~±30°
Dimensions (W*H*D)	282mm×152mm×159mm
Operating Humidity	10%~95%
Operating Temperature	0°C~40°C

Yealink multi-camera solution connection diagram

VC800



VC880



- 💡 VC800 video conferencing system can connect up to 8 VCC22 video conferencing cameras.
- 💡 VC880 video conferencing system can connect up to 9 VCC22 video conferencing cameras.
- 💡 PoE switch and Ethernet cables should be purchased separately. In order to ensure the best network signal, please purchase UL certified CAT5E Ethernet cable. The maximum length of each Ethernet cable is 100 meters.
- 💡 The cable should be replaced at once if its skin is broken.